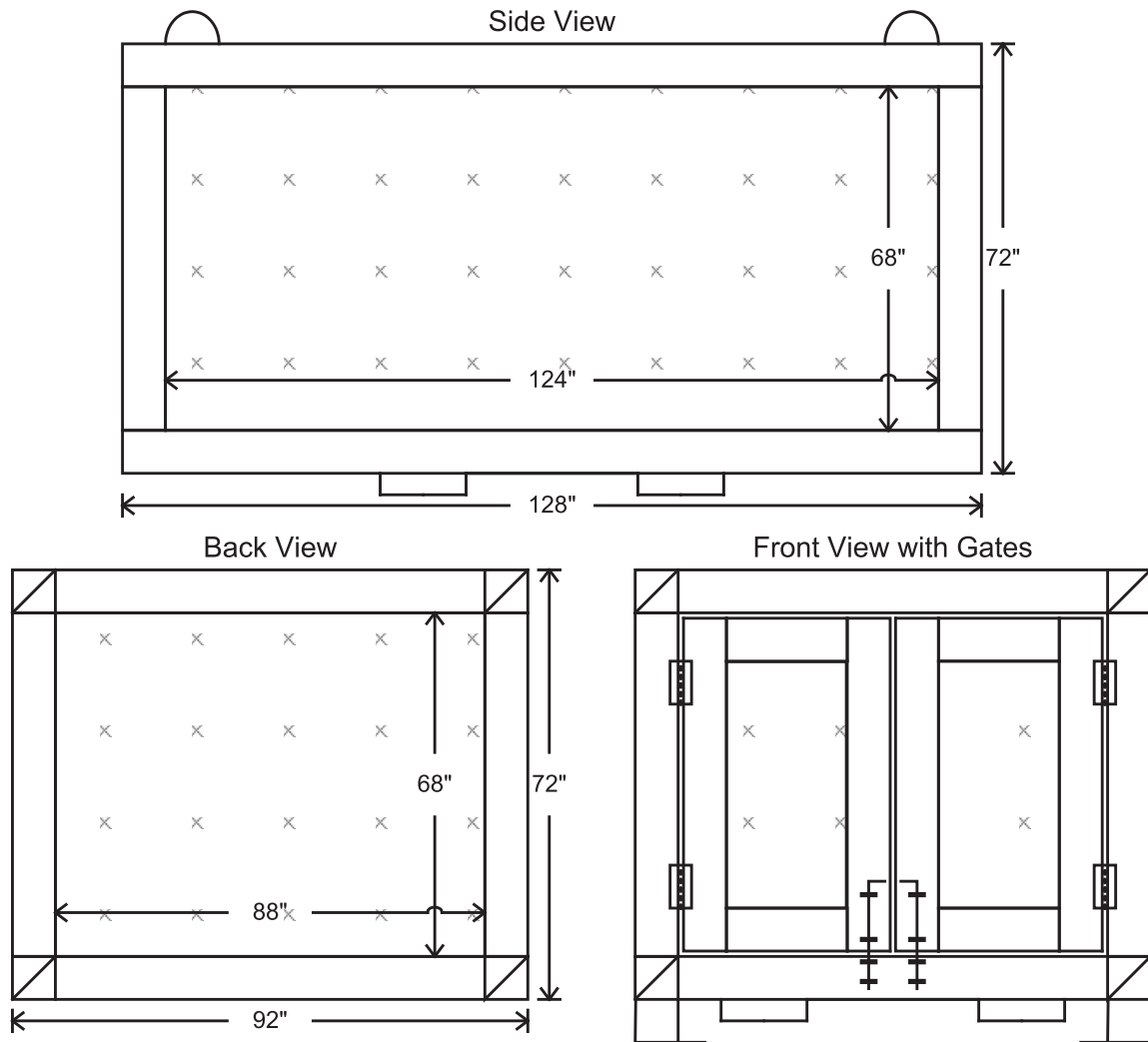


# Material Lifting Baskets



**Notes:**

1. Lifting baskets constructed of 2" x 2" x 1/8" square tubing. Sides covered with expanded metal.
2. Baskets have fork lift cradles on all four sides and four lifting eyes on top.
3. The front panel has two locking doors on hinges.
4. Lifting baskets belong to Superior Duct Fabrication and can be rented by filling out and signing Superior Duct Fabrication's Hold Harmless Agreement. All baskets must be returned promptly after use in good condition.



[www.sdfab.com](http://www.sdfab.com)

LAS VEGAS • POMONA • CAMARILLO

