



UPC#036

Insulated UL 181 Class 1 Air Duct Assembly

Cut to Length with Factory Installed Collars

ATCO RUBBER PRODUCTS, INC.

Description

ATCO's UPC #036 is a UL 181 Class 1 Air Duct and is manufactured with a tri-directional scrim reinforced metallized polyester jacket.

The UPC #036 inner core is air-tight and is designed for low-to-medium operating pressures in HVAC systems.

Construction

A double lamination of tough polyester encapsulates a steel wire helix to form the air tight inner core of ATCO's UPC# 036. The inner core is wrapped in a thick blanket of fiberglass insulation & sheathed in a rugged and durable, tri-directionally reinforced metallized polyester jacket.

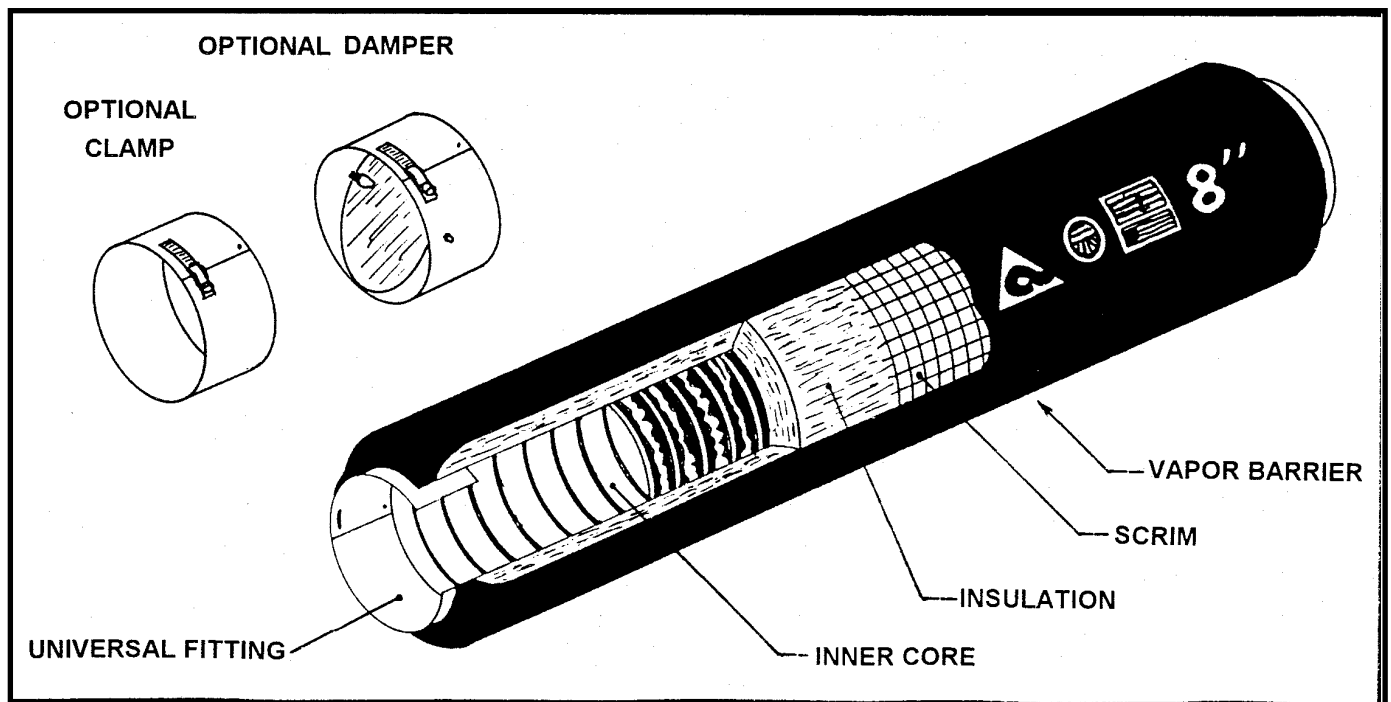
Applications

UPC #036 is designed for indoor use as a supply and return air duct in residential and commercial low-to-medium pressure heating and air conditioning systems. ATCO's UPC #036 can be used as a complete air duct system and/or a branch duct connecting to mixing boxes, diffusers, light troffers, room inlets, or other terminal devices.

Code Compliance*

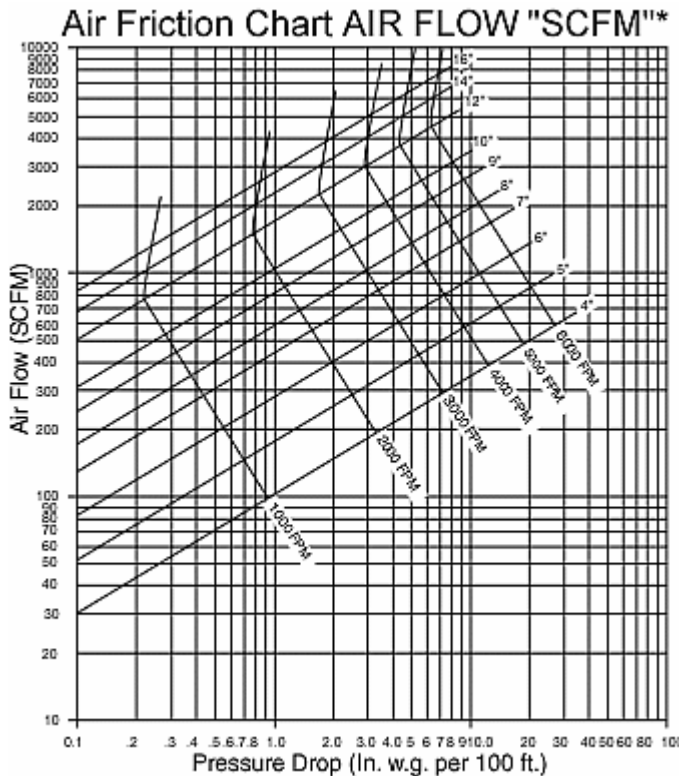
Meets requirements of Florida Energy Code. UL 181, UMC 10-1, SBCC, BOCA, NFPA 90A & 90B, HUD 515-2.1 (b), Cities of Chicago, New York & San Francisco, County of Dade (Florida), California State Fire Marshal.

*ATCO recommends that you check with the local code body having jurisdiction in your area to determine applicable codes.





Air Friction Chart *



STRAIGHT RUN

* FD 72-R1 Test Code of the Air Diffusion Council. Friction loss is computed in inches of water gauge per 100 ft. of straight duct. By using CFM or FPM values for a given duct dimension, the friction loss can be determined. Conversion of CFM to FPM also can be made.

Product Data

- Length: 5ft
- Diameter: 4", 5", 6", 7", 8", 9", 10", 12", 14", 16", 18", 20", 22"
- Vapor Barrier: Reinforced Metallized Polyester
- End Treatment: Any Metal Collar, with jacket taped down
- Packaging: 4 pieces per carton

Warranty

Atco warrants that all flexible ducts will be free from defects in material and workmanship for a period of five years from the date of purchase only if the ducts are installed in accordance with Atco's installation instructions and under conditions specified in Atco's performance data. The buyer's exclusive remedies for any defect in the flexible ducts shall be replacement or refund of the purchase price, at Atco's option.

ATCO MAKES NO OTHER WARRANTIES, EXPRESS, IMPLIED, STATUTORY OR OTHERWISE. IN PARTICULAR, ATCO MAKES NO WARRANTY OF MERCHANTABILITY OR FITNESS FOR A PARTICULAR PURPOSE. ATCO SHALL HAVE NO LIABILITY TO THE BUYER OR ANY THIRD PARTY FOR INCIDENTAL OR CONSEQUENTIAL DAMAGES OF ANY KIND WHATSOEVER, INCLUDING, BUT NOT LIMITED TO, PERSONAL INJURY, PROPERTY DAMAGE, LOST PROFITS OR OTHER ECONOMIC INJURY DUE TO ANY DEFECT IN THE FLEXIBLE DUCTS.

MATERIALS AND SPECIFICATIONS FOR THE FLEXIBLE DUCTS ARE SUBJECT TO CHANGE WITHOUT NOTICE.

Distributed by:

UPC #036

Performance Data

- Rated Positive Pressure: 2" w.g. per UL-181 (UL Listed pressure ratings are determined in straight lengths @ ambient temperatures.)
- Recommended Operating Pressures: (Determined in a 90° bend at elevated temperatures in accordance with ADC FD 72-R1 Test Code.)
 - Maximum Positive: (With factory installed metal collars, 2" w.g. - all diameters)
 - Maximum Negative: $\frac{3}{4}$ " w.g. - all diameters
- Maximum Velocity: 5,000 FPM
- Vapor Transmission: .05 perms
- Maximum Operating Temperatures:
 - 20°F to 140°F Continuous (@ maximum pressure)
 - 20°F to 180°F Continuous (@ 2" pos. w.g. max.)
 - 20°F to 250°F Intermittent (@ $\frac{1}{2}$ " pos. w.g. max.)
- R Value: 6.0 (In accordance with ADC Flexible Duct Performance and Installation Standards (1991) using ASTM C-518 at installed wall thickness on flat insulation only.)
- Flame Spread: Less than 25
- Smoke Developed: Less than 50

INSTALLATION: Air duct connections and joints shall be made per installation instructions outlined by ATCO Rubber Products, Inc. and as required by the UL 181 listing procedure. (Installation instructions are included inside of each carton.)

Atco Shipping Locations



Baltimore, MD Greensboro, NC Cartersville, GA Plant City, FL
 Indianapolis, IN Springdale, AR Fort Worth, TX Houston, TX
 Phoenix, AZ Riverside, CA Sacramento, CA
 Vineland, NJ Wiggins, MS

ATCO RUBBER PRODUCTS, INC.

CORPORATE HEADQUARTERS

7101 ATCO DRIVE

FORT WORTH, TEXAS 76118-7098

PHONE: 817-595-2894

1-800-USS-DUCT (1-800-877-3828)

FAX: 1-800-366-3539 TELEEX: 758-510