

SUPERIOR DUCT FABRICATION

MANUFACTURING

CAPABILITIES



Our manufacturing capabilities include...

Superior Duct Fabrication has robust and varied manufacturing capabilities, producing 1.4 million pounds of sheet metal duct monthly! At Superior Duct we are always striving to offer the best and newest technology and equipment to provide our customers with top-of-the-line products.

We currently have:

- 4 Rectangular Duct Coil Lines
- 5 Spiral Machines
- Salvagnini Laser
- 4 Plasma Tables with Feeders and Decoilers
- Spiral Elbow Machine
- Jetliner Robotic Welder
- 225 skilled sheet metal workers producing sheet metal duct within three different locations.
- 30 Delivery trucks available 24/7!
- Water Jet Liner Cutter
- Ovalizer Machine
- 2 Automatic Adjustable Elbow Machines

Superior produces 1.4 MILLION pounds of sheet metal duct monthly, providing SUPERIOR, top-of-the-line services to our clientele!



Manufacturing Capabilities cont.

- Manufacturing ductwork for commercial, industrial, and institutional HVAC projects. Rectangular, round, oval duct and fittings.
- Galvanized G90, stainless steel 304/316, black iron, aluminum, PVS (poly vinyl steel), Paintlock, perforated.
- Oval spiral fabricated up to 12' lengths. Sizes available upon request.
- Material thickness from 26 ga to 5/16" plate.
- All connections including: TDC, S & Drive, C.L. Ward, Ductmate, and Mez. All hardware included with every fabricated order.
- Rectangular Seams: Snaplock, Pittsburg, spot welded and fully welded mig or tig.
- Burglar bars, roof curbs, roof adaptors, platform covers, drain pans, etc.
- Spiral pipe fabricated in galvanized & exotic metals such as Aluminum, PVS, Paintlock, Perforated Galvanized and Stainless Steel 304. Sizes from 4" to 90" in diameter.
- Fiberglass duct board sheets and fabricated fittings.
- Spooling / pre-fabrication
- Double wall rectangular and round duct & fittings
- Over 1 million pounds of various metals in stock at all times.

SOUTHERN CALIFORNIA DISTRIBUTOR FOR

- C.L. Ward
- Ductmate
- Duro-Dyne
- Design Polymerics
- Owens-Corning
- John Mansville
- Atco Flex

CREDENTIALS

- Los Angeles City DBS Certified
- Minority Business Enterprise Certified
- Los Angeles County Local Business Enterprise Certified
- SMACNA Member
- AWS Certified Welders





Spooling Capabilities

Superior Duct's "Spooling Program" is simple, you provide us with your AutoDesk Fabrication ready model, and we take it from there. Superior's experienced staff will create spools using AutoDesk Fabrication software and our production team will assemble the spooled sections. All assembly is done in our state-of-the-art fabrication facility, which provides a controlled environment and access to innovative tools and procedures.

We will work closely with your team to create spool assemblies, generate spool sheets, and deliver pre-assembled duct runs directly to your jobsite. You will be amazed at the reduction of installation time, and the savings of reduced labor costs.

An example of our committed partnership is our Spooling Program where our commitment to continuously improving our processes and services help you achieve significant savings in labor costs.





Superior's Spiral Elbows can be manufactured in 2" increments from 4" diameter to 24" diameter.

Benefits of Spiral Elbows

- Installs easily and saves on labor cost
- Seal only where elbows attach to duct run
- Appearance is enhanced for exposed duct look

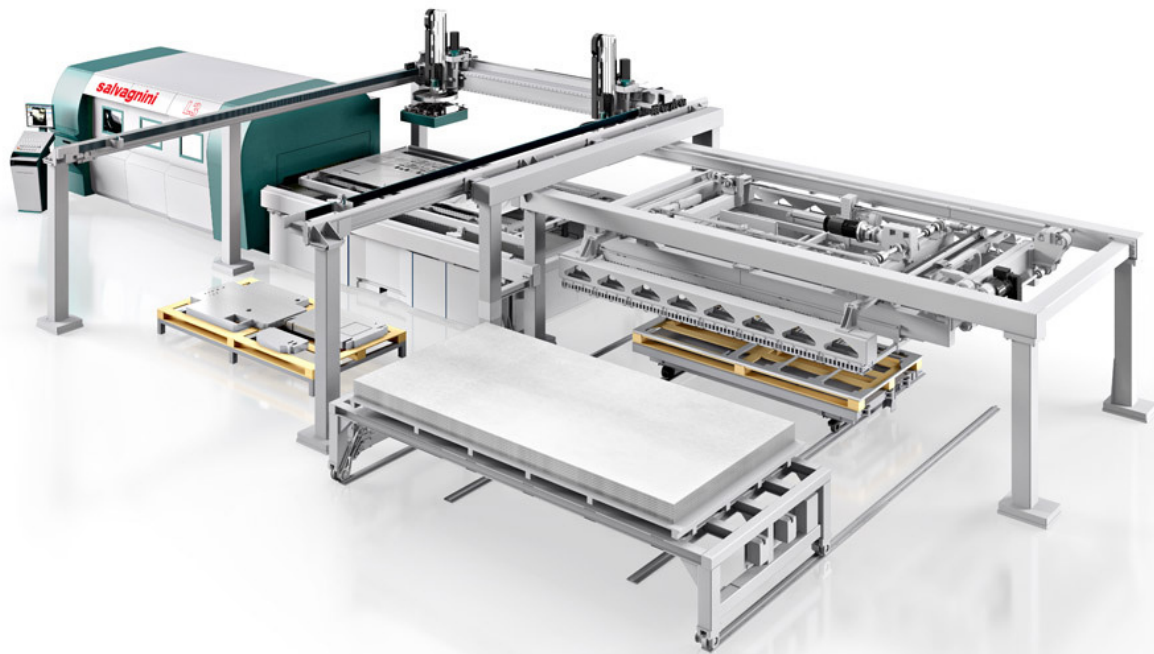
Spiral Elbows

Superior's spiral elbows are formed from a continuous strip of galvanized sheet steel, which utilizes the same 4-ply spiral lock seam in a rolling process. This eliminates the need for welding, sealants, broaching, and VOC paint touchup's. Superior's single form process ensures consistency, quality, and tolerances that are strictly controlled elbow to elbow.

Since the elbows are formed without welding, this allows us to avoid increasing metal gauges in the prevention of burn-through. A 26 gauge spiral elbow has 22% less metal than a 24 gauge elbow, and 36% less metal than a 22 gauge elbow. This means that the production process of these spiral elbows generate a substantial reduction in raw material costs and in addition, have a less negative impact on the environment.

Quick Facts About 1.0 to 1.5 Centerline Spiral Elbow

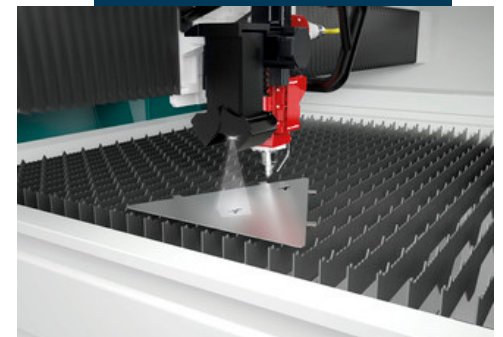
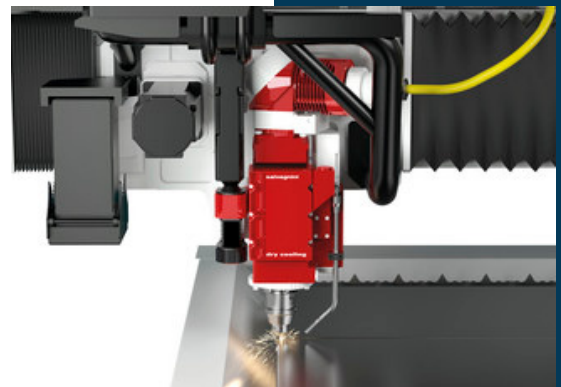
- Airtight 4-ply lock seam construction
- Meets SMACNA gauge requirements
- Low friction loss
- Meets leakage Class 3 for 10" W.G. Duct construction class in a sample test section. Test data states +/- 20"
- No gores to seal; saves on labor costs
- Spiral elbows produced automatically from coil
- Production as fast as 18 seconds per piece
- Very little scrap in production of spiral elbows
- Straights on the elbow ends of 2" / 50mm or greater
- 1.0 and 1.5 Centerline radius also available from 4" to 24" diameter
- 45° and 90° 1.5 Centerline elbows from 4" to 24" diameter



Salvagnini Laser

At Superior Duct Fabrication we are always striving to offer the best and newest technology to streamline our services and provide the most competitive pricing. We recently purchased the Salvagnini L3 Laser!

This laser has amazing capabilities. It cuts through various types of metal with precision that is impossible with a plasma cutter and a miracle of modern technology it can be set to work unmanned. **Working overtime day & night equals big savings in labor!**





PRODUCTS

Spiral Pipe & Flexible Duct

- Spiral Pipe up to 24" diameters in UMC gauges 10' & 7 ½' lengths
- Low Pressure SMACNA (26 ga min) Spiral Pipe 10' lengths 6" thru 24" diameter
- ATCO R-value 6.0 (R-value 8.0 available) Insulated or Bare Aluminum Flex 6' lengths 5" thru 20" diameters
- ATCO ducting R-value 6.0 (R-value 8.0 available) 25' lengths in boxes with raw ends 5' lengths (3pcs per box) with collars

Round Fittings

- 3-Piece Sure-Fit Reducers 6" body + collars
- Pancake Tapers (Cookie Cutters)
- 90 & 45 degree Adjustable Elbows Short & Long Radius 3" thru 24"
- T-Wyes 45 degree branch F/M/M with beaded ends - stock up to 20" diameter
- Dovetail Start Collars and End Caps up to 24" diameter
- Ceiling Cans with Plaster Ground
- Heavy-Duty Damper Sleeves with 1.5" Standoff's, 3/8"Rod, and Nylon Bushings
- 45 & 90 degree Saddle Taps on Flat up to 20" diameter and 90 degree Conical Saddle Tap on Flat 6" tall + collar
- 45 degree Saddle Taps on a variety of round sizes

Insulations & Sealers

- FSK Duct Wrap 1.5" (R4.2), 2" (R6), 3"(R8), and 9" Yellow Cut Wrap UnFaced
- Grooved Board / Duct Fittings available upon request.
- All DP products, PVS Duct Sealer and Adhesives, Firestop, Metal Sealant, Rainbuster 900 and Sika Flex. Others available upon request.



PRODUCTS

HVAC Installation Accessories

- Duro-Dyne Self-Tapping & Super Saber Screws, Small Boxes & Bulk Packaging Spray Paints, Duct Tapes
- Panduit Straps, Stick-Pins, Powder Actuated Shots & Washered Pins, Wiss Snips, Hammers, Seamers, Notchers and much more.

Duct Connection Products & Hardware

- Ward-J/H, Ductmate 35/25 Flange 20' & 10' Lengths, Cleats, Corners, Butyl / Neoprene Gasket & Nuts/Bolts
- TDC Corners, All Cleats, Standing "S", Flat "S", Drive Slip, and Galvanized
- Angle, Multiple Thicknesses 20' & 10' Lengths
- Duro-Dyne, Ventlock, Windgate Damper Hardware
- C.L. Ward Dovetail, Flat, & Round Access Doors
- Blue Duct Guard Plastic Wrap
- Duraflange Spiral Rings 8" thru 48" diameter, Black Iron Companion/Angle Rings 3" thru 48" diameter.
- C.L. Ward, Duro-Dyne and Ventfabrics Flex Connector
- Double Wall Turning Vane & Rail 2" or 4"
- Single Wall Turning Vane & Rail 2" or 4"
- Specialty metals available upon request.

UNISTRUT & Hanging Accessories

- Deep & Shallow UNISTRUT Channel 10' lengths Pre-Galvanized 3/8" & 1/2" Galvanized All Thread 10' lengths
- 3/8" & 1/2" Hex Nuts, Flat Washers, Square Washers, Bolts, Spring Nuts, Couplings, Beam Clamps, & 90/45 degree Angles
- Hanger Strap - 1" & 1 1/2" Hanger Strap in 10' sections (100' per Bundle) (22ga-18ga)
- Hanger Wire - 12', 20', 26' 100 pcs. bundles available with pins & clips 6', 8', 10'.

SUPERIOR DUCT FABRICATION

PROJECT LIST

CASINO PROJECTS

Morongo Casino
Pechanga Hotel and Casino – Past & Present
Luxor Hotel and Casino
Cosmopolitan Hotel & Casino
Monte Carlo Expansion
MGM Arena
Aria Hotel & Casino
Soboba Casino
Sycuan Casino
Desert Diamond Casino
San Manuel Casino

CORPORATE HEADQUARTERS

UFC Headquarters – Las Vegas
Hyundai National Headquarters

MAJOR UNIVERSITY PROJECTS

UCLA - Pauley Pavilion Renovation
UCLA - Engineering Building
USC - The Village - Student Housing and Restaurants
UC Riverside – Student Housing
Loma Linda University
Loma Linda University - Bioscience Laboratory
Cal Tech
Cal Tech - Cryo Laboratory
Cal Tech - Dickenson Laboratory
Cal State University - Northridge
Cal State University - Fullerton
University of Oregon
Roberts Pavilion – Claremont McKenna College
ASU Biodesign Institute
UCI - Bioscience Campus

LAX – AIRLINE TERMINALS

Tom Bradley International Terminal
United Airlines
Delta Airlines
American Airlines
Southwest Airlines
LAX Crenshaw Metro Station

HOSPITALS & SCIENCE

BUILDINGS
Pomona Hospital
San Antonio Hospital
Riverside Community Hospital
Salem Hospital, Oregon
Kaiser
Martin Luther King
Huntington Memorial Hospital
Peebles Hospital, BVI
Phoenix Bioscience
AMGEN
Baxter Healthcare Corporation
Manufacturing Plant
Cedar Sinai Hospital - Biomedical Research Institute
Good Samaritan Hospital, Oregon
Banner University Medical Center
Tucson

AUTOMOTIVE PROJECTS

Tesla Giga Factory - Reno, NV.
Tesla Factory - Fremont, CA.
Luskin Karma Car MFG Plant
FORD Factory

FILM STUDIOS

Paramount Studios
NBC Studios
Universal Studios - Area 51
Fox Media Center - Tempe AZ.

SOUTH PACIFIC PROJECTS

Anderson Air Force Base Guam
Guam General Hospital

HAWAII

Waimea Tower Hawaii
One ALA Moana Shopping Center
Saks 5th Ave. Hawaii

AREAS & STADIUMS

Allegiant (Raiders) Stadium
T-Mobile Area – Las Vegas
Rose Bowl
Los Angeles Football Club

FACTORIES

Pepsi Bottling Expansion
Raytheon - Northrop
Boeing
Amazon Distribution

HIGHRISES

Oceanwide Plaza
Bunker Hill Towers
Santa Monica Tower

MILITARY CONTRACTS

Fort Irwin
Camp Pendleton
Camp Roberts

Other Notable Projects

Space EX
Disneyland
Metropolis
USAA Call Center
Proctor & Gamble
Tower Jazz